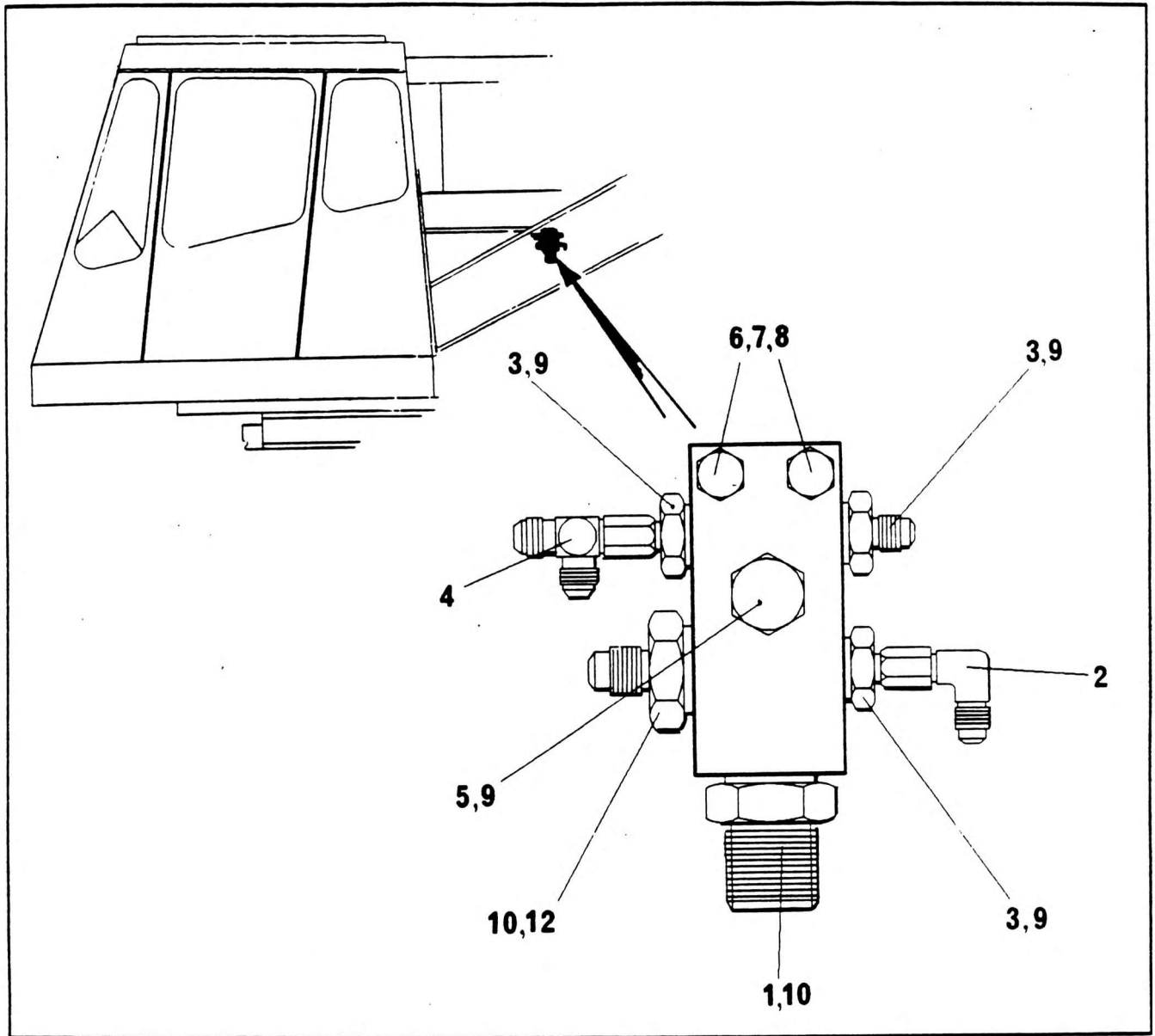


JUNCTION BLOCK ASSEMBLY



NO.	PART NO.	QTY.	DESCRIPTION	NO.	PART NO.	QTY.	DESCRIPTION
1	7-443-990915	1	Adaptor $\frac{1}{2}$ " x $\frac{1}{2}$ " BSP				
2	7-447-040433	1	Swivel Elbow $\frac{1}{2}$ "				
3	7-443-990912	3	Adaptor $\frac{3}{8}$ " BSPP - $\frac{3}{8}$ "				
4	7-447-060634	1	$\frac{3}{8}$ " M.F.M. Swivel				
5	7-709-990044	1	Plug $\frac{3}{8}$ " BSP				
6	7067212	2	Washer Spring M10				
7	7069301	2	Nut Nyloc M10				
8	7091110	2	Bolt Hex Head M10 x 70 Long				
9	7355204	4	Bonded Seal $\frac{3}{8}$ " BSP				
10	7355401	2	Bonded Seal $\frac{3}{8}$ " BSP				
11	8420655	1	Junction Block				
12	7-443-991231	1	Adaptor $\frac{1}{2}$ " BSP M x $\frac{3}{8}$ " M				

6-620-990060  
Issue No. 01